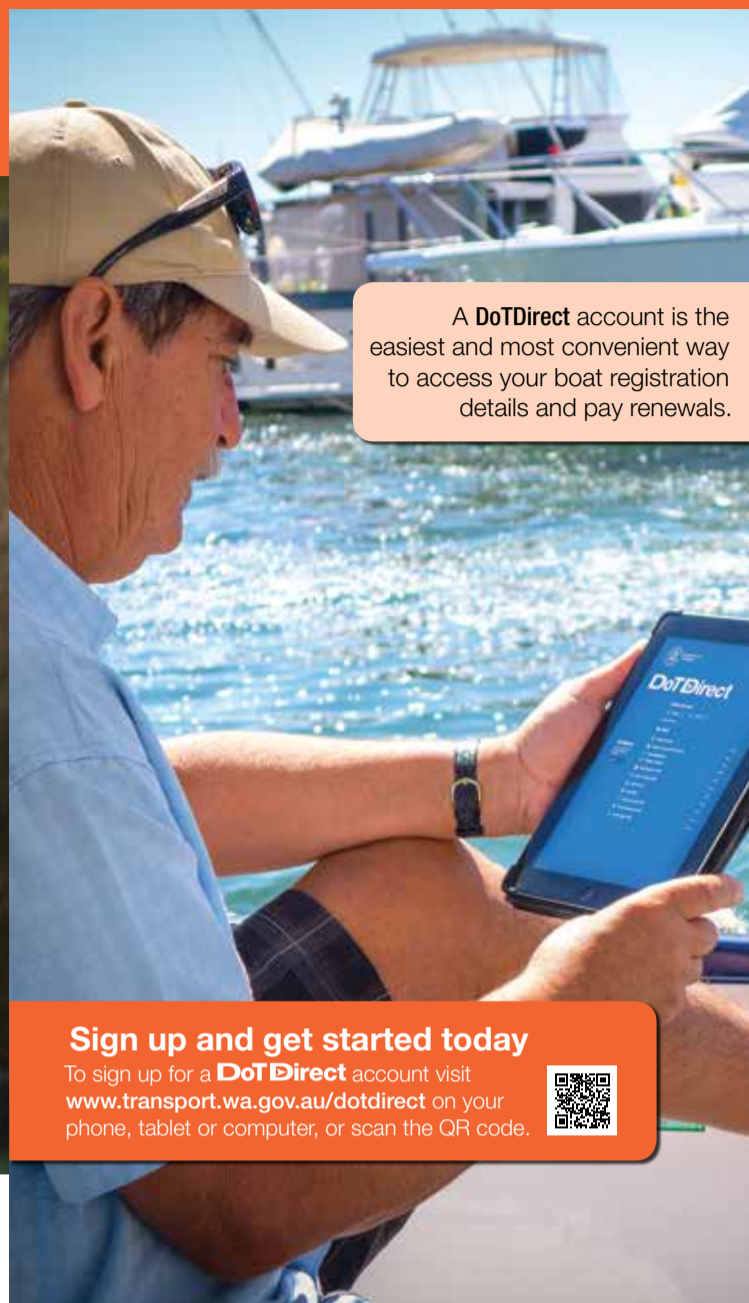




Safety Guidelines

Vessel registration

Marine Safety



A **DoT Direct** account is the easiest and most convenient way to access your boat registration details and pay renewals.

Sign up and get started today
To sign up for a **DoT Direct** account visit www.transport.wa.gov.au/dotdirect on your phone, tablet or computer, or scan the QR code.



Contacts details

Email: marine.safety@transport.wa.gov.au
Website: www.transport.wa.gov.au/imagine
Marine Safety Hotline: 13 11 56

Boating Weather Forecast

Boating Weather: 1900 955 350
Website: www.bom.gov.au/marine

For further information go to:
<http://www.transport.wa.gov.au/imagine/boat-registration.asp>
or scan the QR code.



Join us at [facebook.com/MarineSafetyWA](https://www.facebook.com/MarineSafetyWA)

The information contained in this publication is provided in good faith and believed to be accurate at time of publication. The State shall in no way be liable for any loss sustained or incurred by anyone relying on the information.



September 2018

Recreational vessel registration

Having a current vessel registration has many benefits, the most important being it ensures that all of your important contact information is up-to-date and can be used in an emergency to provide accurate information about your vessel if it needs to be located out on the water. Easy access to the information assists in a timely and successful emergency response.

Through registration fees boat owners contribute to improvements to boating facilities such as launching ramps and jetties, and marine services including navigation aids, safety education and compliance patrols.

Registerable vessels

Owners of recreational vessels that are or may be propelled by mechanical power, including electric motors and boats which are ordinarily propelled by sail, must register them with the Department of Transport (DoT) and pay the associated registration fees. The annual registration fee is determined by the hull length of the vessel as described on the vessel's Boat Registration Certificate.

Recreational boats in navigable waters such as those on moorings, in pens or berthed at jetties are also required to be registered, regardless of how regularly they are being used.

It is an offence to use or have in any navigable waters a registrable vessel without a current registration.

Registrable vessels that have any outstanding fees, such as transfer or late fees are seen as not registered regardless of whether the annual registration fee has been paid or not.

Exemptions from registration

Recreational vessels not requiring registration:

- sailing vessels that cannot carry a motor
- canoes, surf skis and other craft without motors
- tender vessels no more than 3.1 metres long
 - with a motor not bigger than 5hp (3.73kW);
 - used only as a lifeboat and for ship to shore transport, and for no other purpose; and
 - displays the registration number of the parent vessel.

Registering a new boat

To register your new boat, submit your application in person at a DoT Driver and Vehicle Services (DVS) Centre, Regional Centre or at a Regional Authorised Agent. Make sure you take the following documents with you:

- Completed new boat registration: Application to register a new boat form
- Hull Identification Number (HIN) certificate
- Proof of acquisition, this may include any of the following:
 - Bill of sale
 - Detailed receipt
 - Consignment note
 - Offer to purchase or any document that provides evidence of ownership. For example a statutory declaration.

You will be required to pay a registration fee as well as annual fees. For more information about recreational boating fees, visit: <https://www.transport.wa.gov.au/imagine/marine-fees-and-payments.asp>

Transfer of ownership

If you're purchasing a boat with expired registration you will need to transfer the ownership, not register it.

Both the seller and purchaser of a boat with current or expired registration with DoT will need to complete and sign a Boat Transfer Form: Notification of change of ownership, which will need to be submitted to DoT via mail or in person at a DVS Centre, Regional Centre or Regional Authorised Agent.

Seller's responsibility

When selling a recreational boat with current or expired registration with DoT you must submit the following to DoT via mail or in person at a DVS Centre, Regional Centre or Regional Authorised Agent within seven days of sale:

- Boat registration certificate
- HIN certificate (if HIN is not recorded on the registration certificate)
- Proof of acquisition, this may include any of the following:
 - Bill of sale
 - Detailed receipt
 - Consignment note
 - Offer to purchase or any document that provides evidence of ownership. For example a statutory declaration.
- Completed and signed Boat Transfer Form: Notification of change of ownership and submit the red seller's copy. The rest of the form remains with the purchaser.

Purchaser's responsibility

When purchasing a recreational boat with current or expired registration with DoT you must submit the following to DoT via mail or in person at a DVS Centre, Regional Centre or Regional Authorised Agent within 15 days of purchasing the vessel:

- Purchaser's copy of the completed Boat transfer form: Notification of change of ownership
- Proof of Identity - <https://www.transport.wa.gov.au/licensing/proof-of-identity.asp>
- Proof of acquisition, this may include any of the following:
 - Bill of sale
 - Detailed receipt
 - Consignment note
 - Offer to purchase or any document that provides evidence of ownership. For example a statutory declaration.
- HIN certificate (if HIN is not recorded on the registration certificate)

The purchaser will be required to pay a registration fee as well as annual fees.

Change of details

The owner of a recreational vessel registered with DoT must notify the Department within 15 days of any changes to the address of the owner of the registered vessel. Complete either a Change of boat (registration) details, Change of name and address or Change of personal details form and update your details via:

- DoT Direct
- In writing by either emailing us the updated details to boat@transport.wa.gov.au or via post GPO Box C102 Perth, WA 6839
- Or by visiting any DoT DVS Centre, Regional Centre or Regional Authorised Agent.

Interstate boat registration

If your recreational boat is registered in another State, you have three months after bringing the boat into WA to complete WA registration. However, people with recreation boats from Northern Territory have 30 days to complete the process. To register an interstate registered recreational boat in WA you will be required to register it as a new recreational boat (as detailed above).

Type, size, colour and placement of registration numbers and stickers

Registration stickers and numbers must be fixed to the vessel as follows:

Registration sticker

A registration sticker will be forwarded on payment of the annual registration fee. The registration sticker is colour coded for the year of expiry and numbered to indicate the month of renewal.



Placement of registration number and sticker

The registration sticker must be fixed on the PORT (left) side of the vessel, adjacent to the registration numbers. Registration stickers and numbers must be in good condition and easily read. Numbers that are old, faded or peeling off should be replaced as soon as possible.



Registration numbers

Each digit of the registration number should be of 'plain block' design, and vertically positioned – not slanting. If the vessel hull is not white, each digit should have a minimum white surround of seven millimetres.

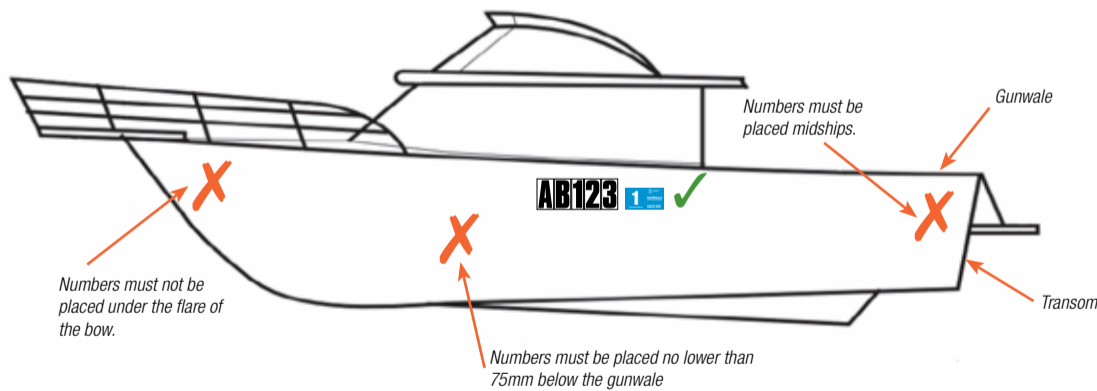
| Vessel type | Block font design only | Minimum character height | Minimum character width | Colour | Character background | Position |
|----------------------|------------------------|--------------------------|-------------------------|--------|----------------------|---|
| Motorboats | ✓ | ≥ 150mm | ≥ 25mm | Black | ≥ 7mm White | Both sides of the hull and midships |
| Personal water craft | ✓ | ≥ 100mm | ≥ 25mm | Black | ≥ 7mm White | Both sides of the vessel where they are clearly visible |
| Sailing vessels | ✓ | ≥ 50mm | ≥ 12mm | Black | ≥ 7mm White | Both sides of the hull immediately forward of the transom |
| Tenders | ✓ | ≥ 50mm | ≥ 12mm | Black | ≥ 7mm White | Both side of the vessel forward of the transom |

| | | |
|---|--|---|
| Motorboats ≥ 150 x 25mm, black block character, 7mm white surround  | Personal water craft ≥ 100 x 25mm, black block character, 7mm white surround  | Sailing vessels and tenders ≥ 50 x 12mm, black block character, 7mm white surround  |
|---|--|---|

Placement of registration number and sticker

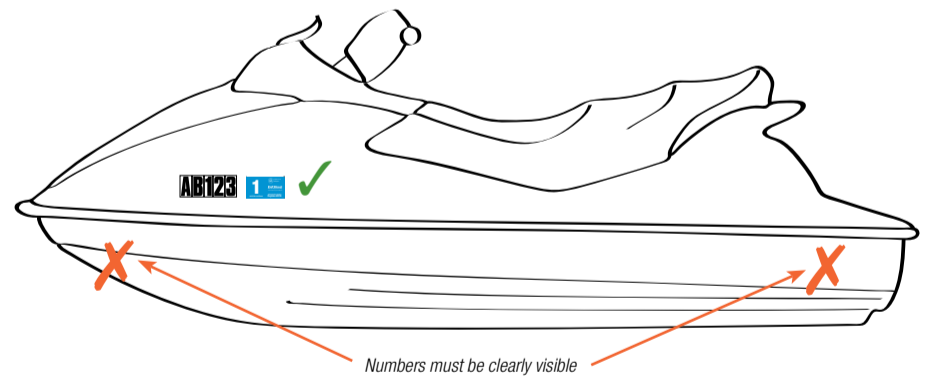
Motorboats

Midships on **both sides** of the hull clearly visible, whether or not the vessel is underway, **not under the flare** of the bow, **no lower than 75mm below the gunwale** of the vessel and **not less than 150mm high x 25mm wide**.



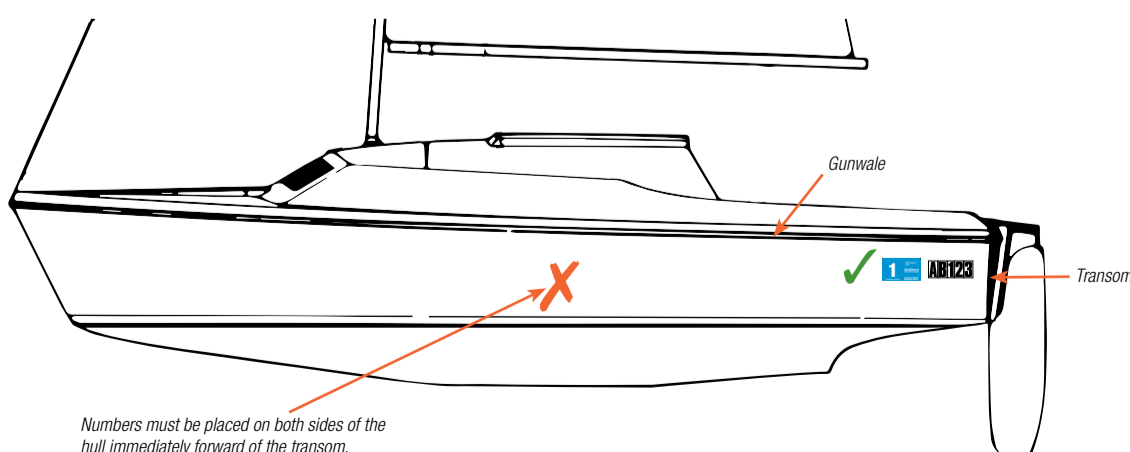
Personal water craft

On **both sides** of the hull clearly visible and **not less than 100mm high x 25mm wide**.



Sailing vessels

On **both sides** of the hull immediately forward of the transom and **not less than 50mm high x 12mm wide**.



Tenders

Must have the **parent vessel's registration number** displayed on **both sides** of the vessel forward of the transom and **not less than 50mm high x 12mm wide**.

